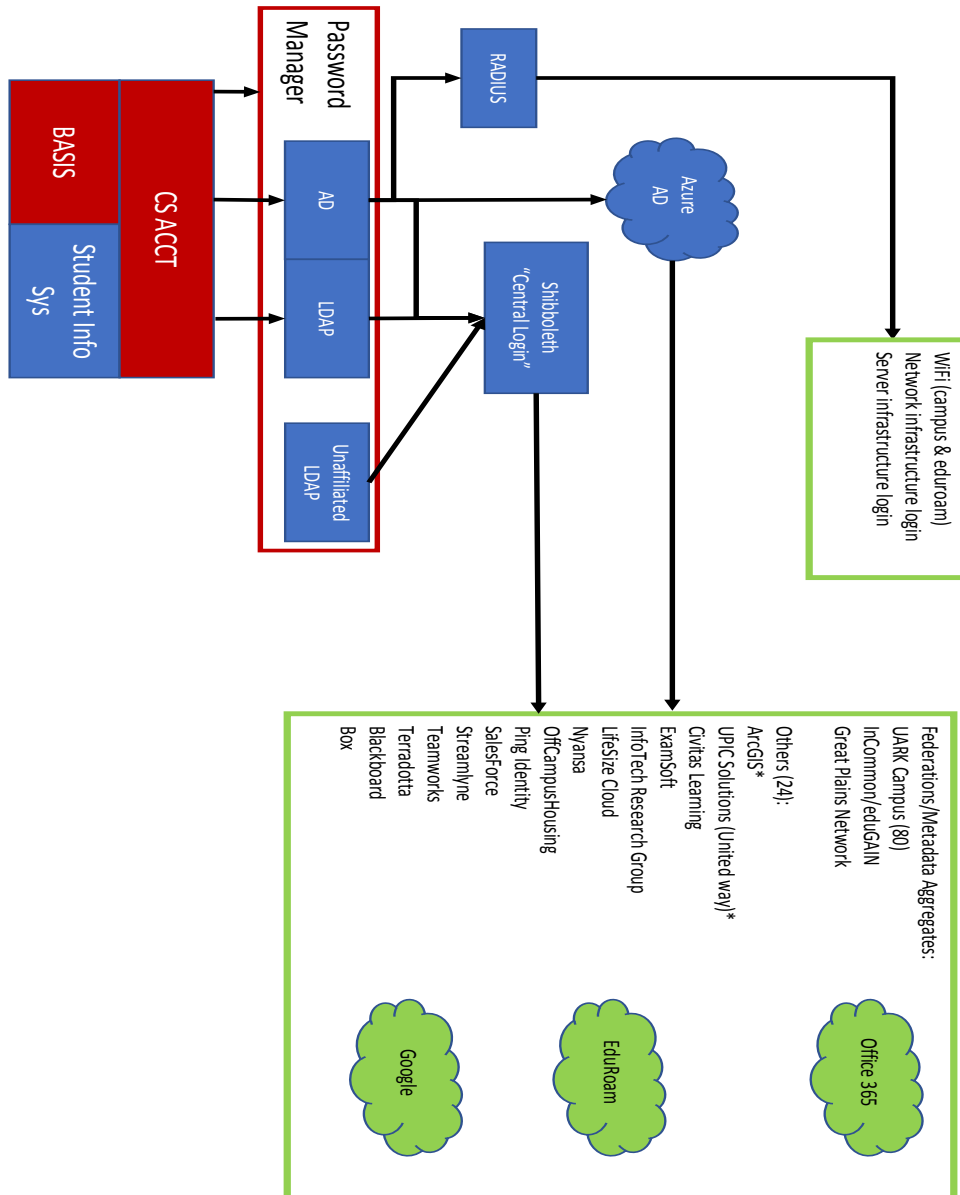


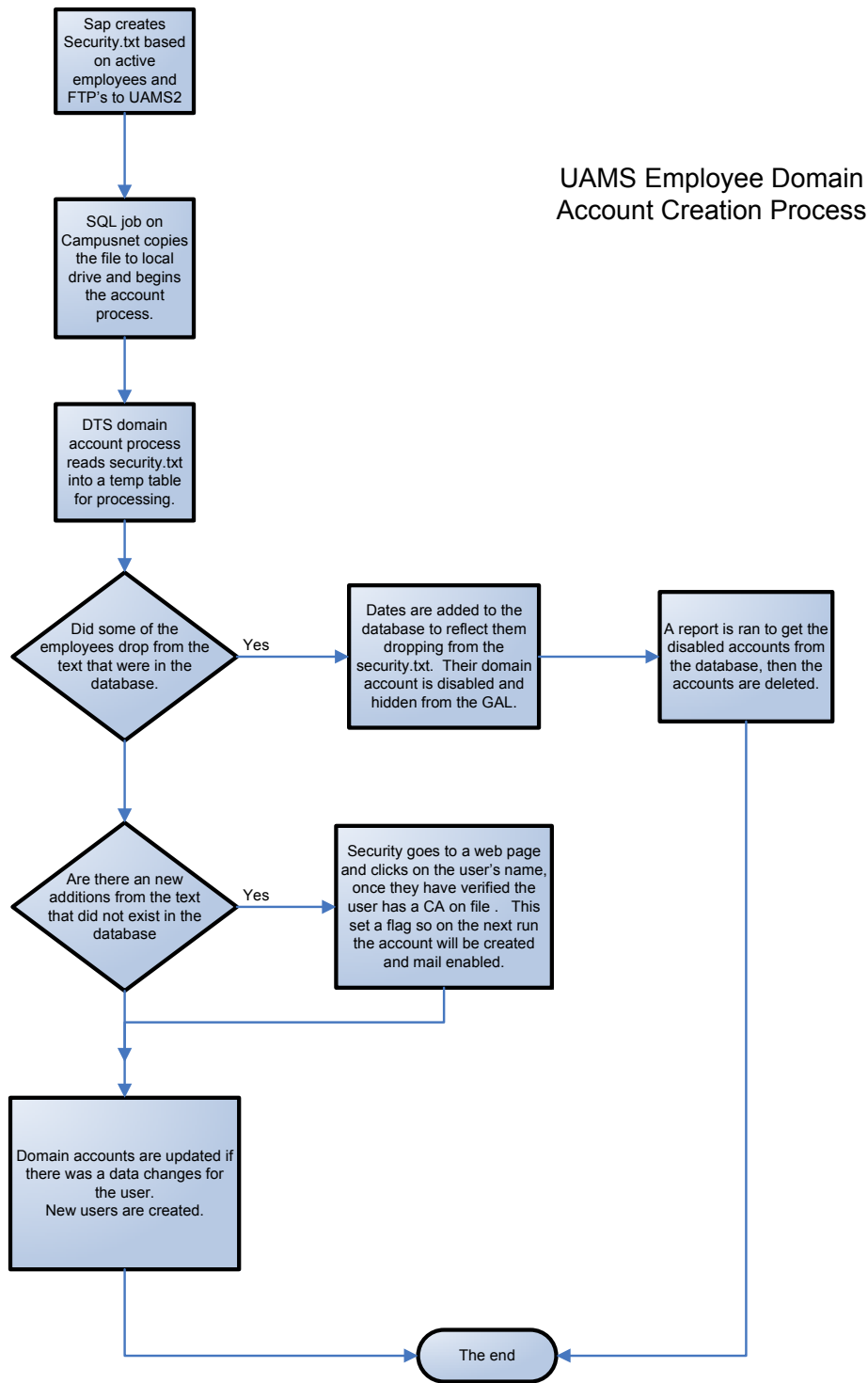
**University of Arkansas, Fayetteville**

Accounts are generated out of a locally developed mainframe application and PeopleSoft Campus Solutions. Scripts within these environments combine user information from both systems to produce a comprehensive user record that is used to provision accounts in Active Directory, a separate UNIX-based LDAP server, and several other platforms. AD & LDAP form the authentication backbone, either directly to end-user applications or through SAML or RADIUS interfaces.



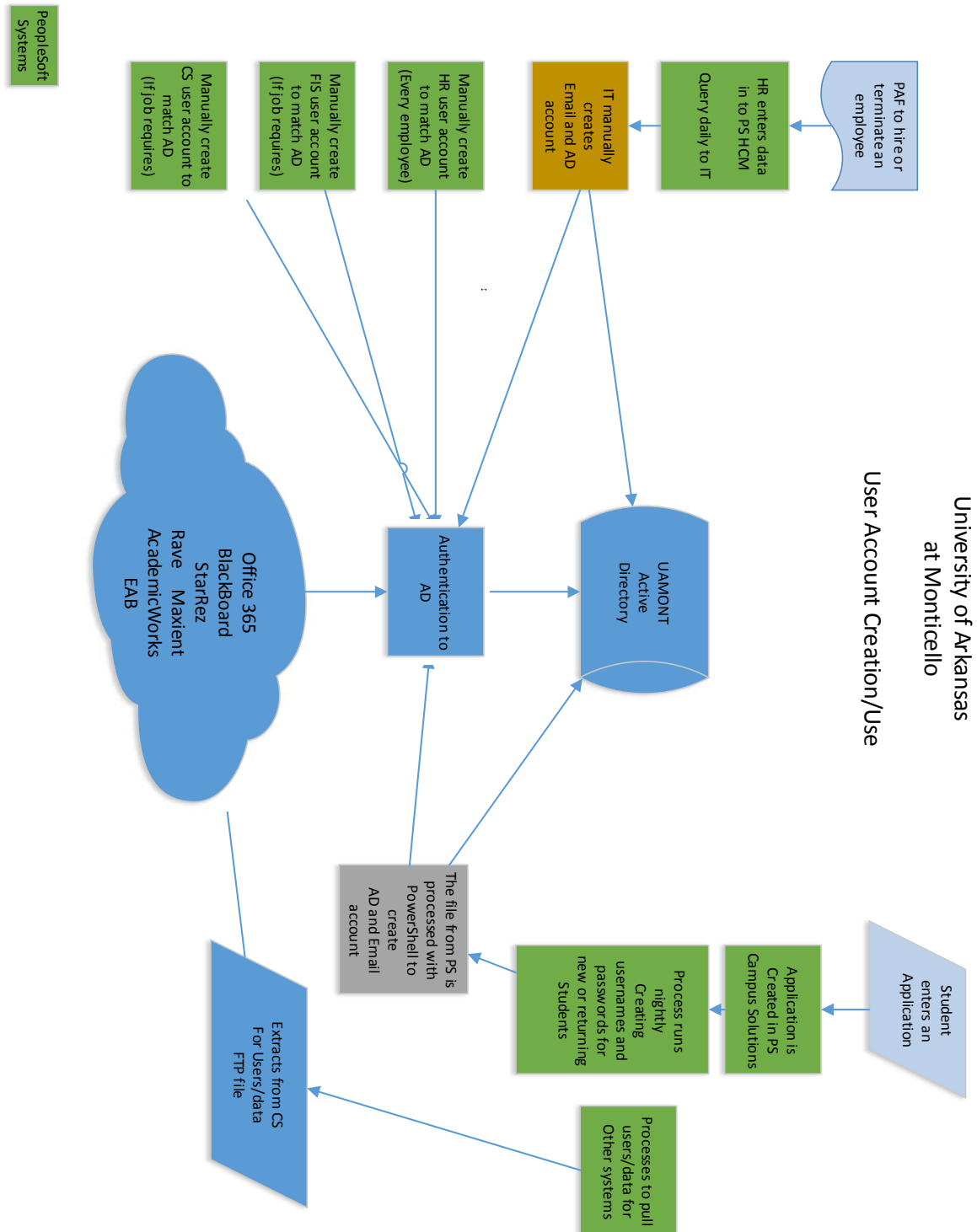
University of Arkansas for Medical Sciences

Accounts are generated out of SAP and provisioned into Active Directory.



**University of Arkansas at Monticello**

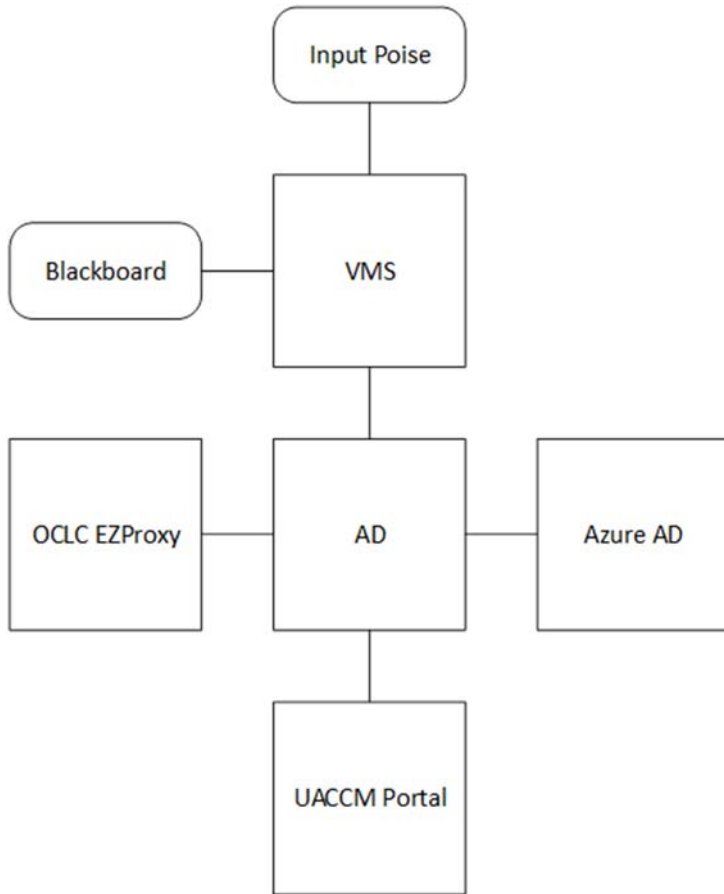
User accounts are generated out of PeopleSoft, either HCM (employees) or Campus Solutions (students) and provisioned into Active Directory. Active Directory is the primary authenticator for most services



**University of Arkansas System**  
**RFP # 644456: Identity and Access Management Software and Services**

**University of Arkansas Community College at Morrilton**

Accounts are created in POISE. Once approved, they are provisioned into Active Directory and Blackboard VPN. Active Directory is the primary source of authentication for services.



**Arkansas School for Math, Science, and the Arts**

Accounts are generated out of the BlackBaud student information system and provisioned into Google Apps for Education (GAE). No Active Directory is present. Many services authenticate directly against BlackBaud, while others authenticate against GAE. Access to HR and Financials is provided through a shared instance of Banner, maintained by the University of Arkansas at Little Rock (UALR). Authentication to Banner is independent of BlackBaud/GAE.

